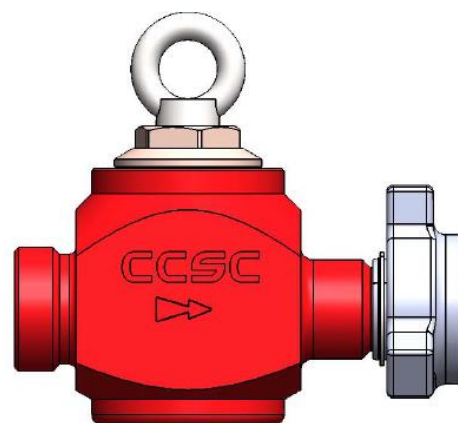


## Top Entry Check Valve

### General

CCSC Top Entry Check Valve is designed to be compatible with FMC WECO top entry check valve based on technology imported from FMC. To ensure the quality, our top entry check valve are forged by the high quality alloy steel. All processes including forging, machine, and heat treatment are strictly controlled and full trackable in according with API 6A, API 16c and Q1, as well as NACE-MR-01-75 (sour gas service), full packages of MTR can be sent with consignment upon client's request. Top entry check valve is available in sizes ranging from 2" to 3" and can handle up to 15,000 psi for standard service.



### Available Spec.

Service	: Standard service
Size	: 2" , 3"
End Connection	: Weco Hammer Union, Flange, Thread
Working Pressure	: 2000 - 15,000PSI

### Features

- Forged body by alloy steel
- Simple structure,the internal parts can be inline changed
- Weco Hammer Union, Flange, Thread is available
- Suitable for high pressure application such as fracuring, cementing, acidizing, etc.

## INSPECTION, QUALITY CERTIFICATE AND AFTER-SALE SERVICE

### Inspection

We adopt factory inspection and on-site inspection. If the product passes on-site inspection, it will enter warranty period. The inspection conforms to the protocol signed by the two parties and product manufacturing standard. Any kind of third party inspection is acceptable.

### Quality Certificate

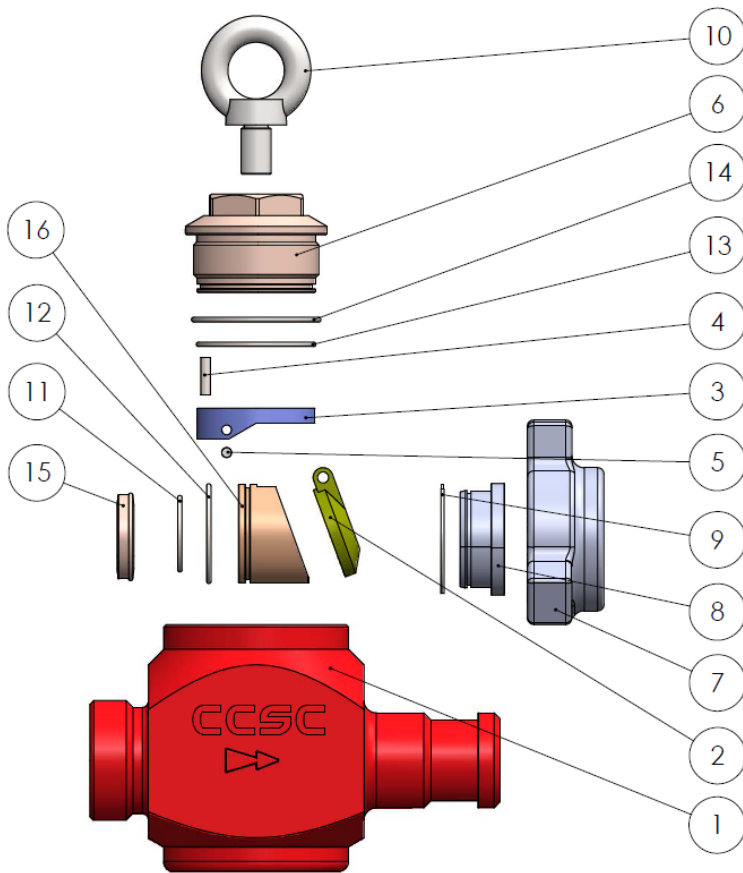
- 1) All the equipment are manufactured according to ISO9001 and API standard
- 2) Warranty period is 18 months after receiving the goods or 12 months after operation. If there are quality problems within warranty period, the supplier is responsible for solving problems in time at any time.
- 3) If failure and potential safety hazard appear during operation because of designing defect, the supplier will improve the equipment for free.
- 4) We will provide complete high quality technical document and brochure of the whole equipment in

English.

**Documentations**

- 1) Traceability Documents: (Including Raw Material Test Certificate, NDT Report, Pressure Test Report, etc.)
- 2) General Assembly Drawing

**Composition**



**MATERIAL LIST**

NO.	DESCRIPTION	QTY.
1	BODY	1
2	GATE	1
3	RETAINER PIVOT PIN	1
4	ALIGNMENT PIN	1
5	PIVOT PIN	1
6	BODY CAP	1
7	DETACHABLE NUT UNION	1
8	RETAINER SEGMENT	1
9	RETAINER RING:EXTERNAL	1
10	LIFTING BOIT	1
11	O-RING UNIFORM 55X3.5	1
12	O-RING UNIFORM 74X3.5	1
13	O-RING UNIFORM 90X3.5	1
14	O-RING UNIFORM 97X4	1
15	SEAT RING	1
16	SEAT	1

**REPAIR KITS**

NO.	DESCRIPTION	QTY.
2	GATE	1
3	RETAINER PIVOT PIN	1
4	ALIGNMENT PIN	1
5	PIVOT PIN	1
11	O-RING UNIFORM 55X3.5	1
12	O-RING UNIFORM 74X3.5	1
13	O-RING UNIFORM 90X3.5	1
14	O-RING UNIFORM 97X4	1
16	SEAT	1

**For more information about out top entry check valve, please feel free to contact us:**

**sale@ccscpetro.com**