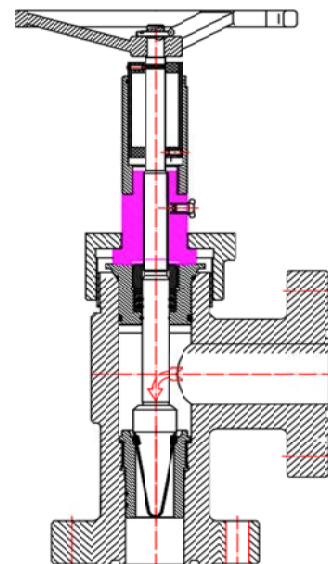


Adjustable Choke

General

Adjustable choke valves are often used in the oilfield when drilling, testing, production, our adjustable choke valve is designed and manufactured in accordance with API 6A and API 16C standard and improved from Cameron H2 series adjustable choke valves. They are easy for operation and simple to maintain. Our adjustable choke valves have many sizes and pressure ratings used for oil field application



Available Spec.

SERVICE	:H2S
Size	:2 – 4 inch
WORKING PRESSURE	:2000 - 15,000PSI
WORKING TEMPRATURE	:P-U
MATERIAL CLASS	:AA -EE
CONNECTION	: Flanged & Weco Hammer Union & Thread

Design Code

API 6A
 NACE MR.0175

Feature

1. Manufactured and tested in accordance with API 6A.
2. Carbide alloy is embedded into stem needle of valve, seat.
3. Flow adjustment is indicated on a measuring scale.
4. Composite rubber-plastic stem lip packing reduces operating torque.
5. Max orifice: 1"-3".

INSPECTION, QUALITY CERTIFICATE AND AFTER-SALE SERVICE

Inspection

We adopt factory inspection and on-site inspection. If the product passes on-site inspection, it will enter warranty period. The inspection conforms to the protocol signed by the two parties and product manufacturing standard. Any kind of third party inspection is acceptable.

Quality Certificate

- 1) All the equipment are manufactured according to ISO9001 and API standard
- 2) Warranty period is 18 months after receiving the goods or 12 months after operation. If there are quality problems within warranty period, the supplier is responsible for solving problems in time at any time.
- 3) If failure and potential safety hazard appear during operation because of designing defect, the supplier will improve the equipment for free.
- 4) We will provide complete high quality technical document and brochure of the whole equipment in English.



CCSC PETROLEUM EQUIPMENT CORP.,LTD
Web: www.ccscpetro.com

Documentations

- 1) Traceability Documents: (Including Raw Material Test Certificate, NDT Report, Pressure Test Report, etc.)
- 2) General Assembly Drawing
- 3) Technical Service Manual

For more information, please feel free to contact us: sale@ccscpetro.com